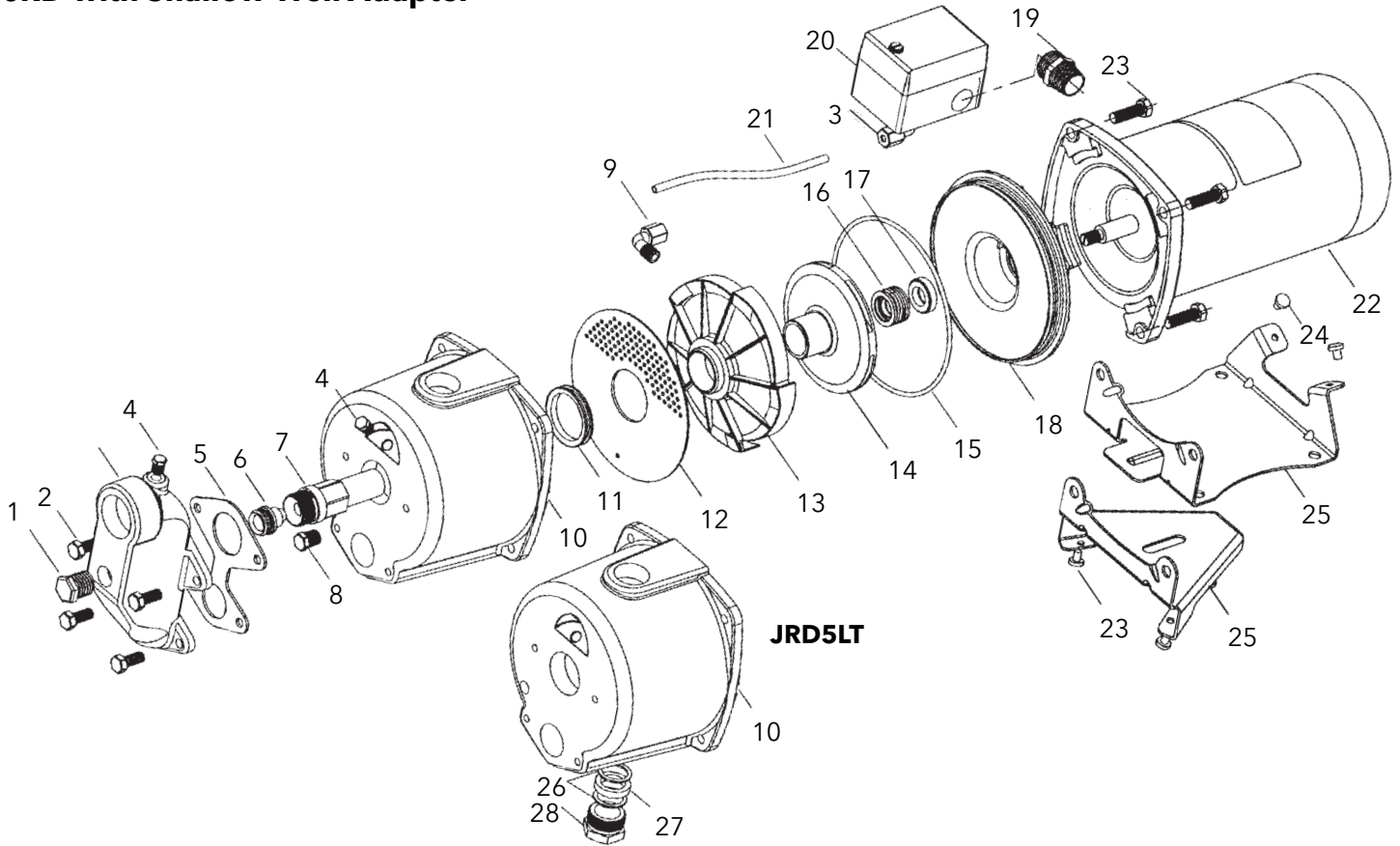


JRD REPAIR PARTS

| Item No. | Part Description | Material | Repair Part No. | | | |
|----------|--|-----------------------|-----------------|--------|----------|----------|
| | | | JRD5 | JRD5LT | JRD7 | JRD10 |
| 1 | Pipe plug ½" NPT | Steel | 6K68 | | | |
| 2 | Hex cap screw | Steel | 13K1 | | | |
| 3 | Shallow well adapter | Cast iron | 4K62 | | | |
| 4 | Pipe plug ⅛" NPT | Steel | 6K1 | | | |
| 5 | Gasket | BUNA - FDA/NSF | 5K108 | | | |
| 6 | Nozzle | Delrin® | AN018 | | | |
| 7 | Venturi tube | Lexan® | AD3731 | | AD3536 | AD3538 |
| 8 | Drain plug ¼" NPT | Steel | 6K2 | | | |
| 9 | Elbow connector - tubing | Polypropylene | 6K94 | | | |
| 10 | Casing | Cast iron | 1K416 | 1K417 | 1K416 | |
| 11 | Separator plate seal ring | BUNA | 5K323 | | | |
| 12 | Separator plate | Polypropylene | 5K253 | | | |
| 13 | Diffuser (guide vane) | Lexan® | 3K64 | | 3K65 | |
| 14 | Impeller | Noryl® | 2K900 | | 2K901 | 2K902 |
| 15 | O-ring | BUNA | 5K230 | | | |
| 16 | Mechanical seal - rotary | Teepelite | 10K121 | | | |
| 17 | Mechanical seal - stationary | Ceramic | | | | |
| 18 | Seal housing | Amodel® | 1K366 | | | |
| 19 | Connector w/locknut | Steel | 6K24 | | | |
| 20 | Pressure switch | NA | AS4 | | | |
| 21 | Tubing - pressure switch | Polypropylene | 6K92 | | 6K101 | 6K108 |
| 22 | Motor | Stainless steel shaft | SFJ04860 | | SFJ05860 | SFJ06860 |
| 23 | Hex cap screw | Steel | 13K80 | | | |
| 24 | Grommet - base | BUNA | 4K405 | | | |
| 25 | Base - JRD5, JRD7, JRD10 (off tank) | Steel | 4K399 | 4K449 | 4K399 | |
| | Tank base - JRD5LT (on tank) | | | | | |
| 26 | Discharge gland washers (pkg 2) | N-8090 | - | 5K10 | - | |
| 27 | Discharge gland packing | BUNA | - | 5K8 | - | |
| 28 | Dis. gland nut assembly (includes 26 & 27) | Brass | - | 4K12 | - | |

Note: 10K121 and 10K10 are interchangeable.

JRD with Shallow Well Adapter



Xylem Inc.

2881 East Bayard Street Ext., Suite A, Seneca Falls, NY 13148

Phone: (866) 325-4210 Fax: (888) 322-5877

www.gouldswatertechnology.com

